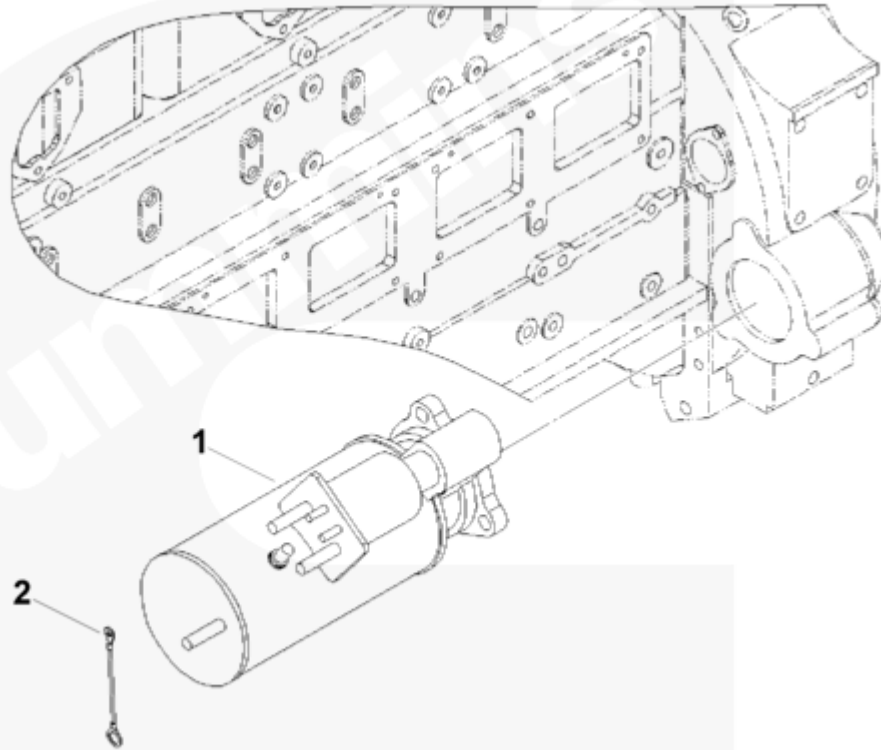




Parts Catalog - Option Detail

Electronic Parts Catalog - Option Detail				
Option	Group	Graphic	Film Card	Date
ST8020	13.05	st100ga	F	01-OCT-00
Engines	NH/NT 855, NT495, NT743, NTA855 N106			

©Cummins Inc



[SMALL](#) | [MEDIUM](#) | [LARGE](#)

Cart	Ref No	Part Number	Part Description	Required	Remarks
View My Cart					
		ST8020	Starter		Starting motor...(More)
					manufacturer: Manufactured
					by Delco Remy, branded for
					Cummins
					Model:
					Delco Remy 42 MT Type 400
					starter type: Electric,

					insulated
					Voltage: 24volt
					Solenoid Location: 277.5
					Degrees features CS rotation
					and positorque drive
					Includes ground strap.
<input type="checkbox"/>	1	3021036	Starting Motor	1	
<input type="checkbox"/>	2	3018924	Ground Wire	1	

© 2019 Cummins Inc., Box 3005, Columbus, IN 47202-3005 U.S.A.
Terms of Use and Disclaimers | Recommended System Requirements
Need Assistance? Please click on the Contact Us button in the top right corner of any page.